



SERIE ROBBY

Potente e compatta per il lavoro **indoors** e **outdoors**





WHEEL DRIVE

ROBBY 280

ROBBY 420

ROBBY 420 XL

ROBBY 600

ROBBY 600 XL

Dead weight

484 kg

700 kg

740 kg

860 kg

924 kg

Load capacity

280 kg

420 kg

420 kg

600 kg

600 kg

Working height

2.70 m

2.60 m

3.40 m

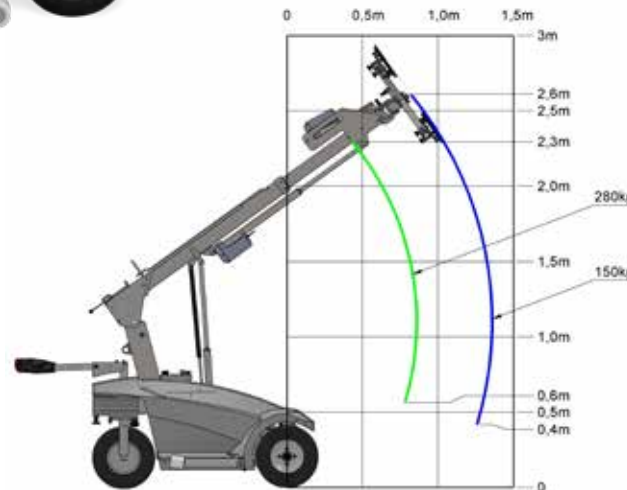
2.90 m

3.50 m

ROBBY 280



Dead weight	484 kg
Length	1890 mm
Width	800 mm
Height	1396 mm
Load capacity	280 kg
Working height	2.70 m



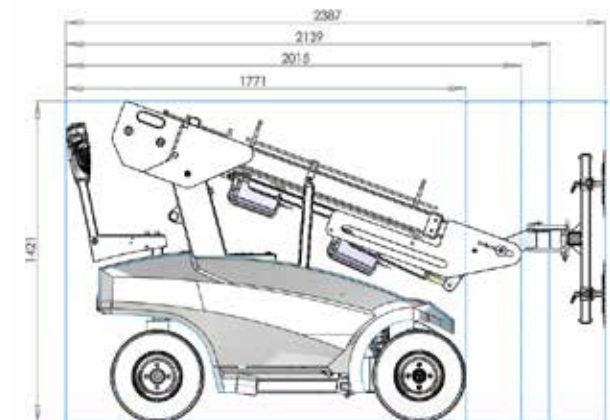
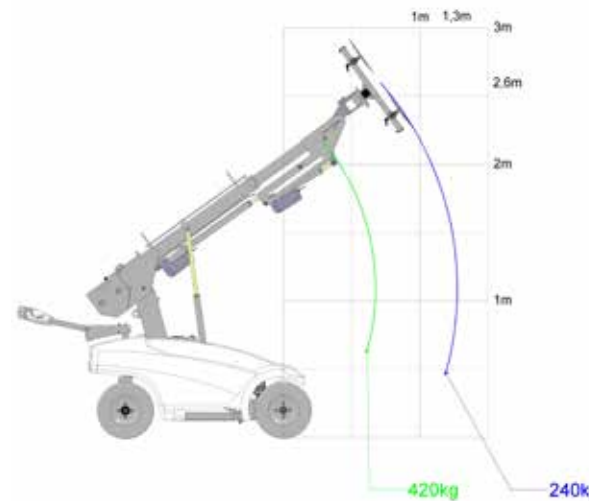
Suction disc	4 x 270 mm
Lateral shift	100 mm
Rotation range	360 °
Swivel range	180 °
Period of use	up to 16 hours
Telescoping length	700 mm
Load current	230 V (110 V possible)
Charger	Cetek XT 14000
Charging time	approx. 8 hours
Battery	2 x 12 Volt
Wheel drive	700 Watt AC
Speed	infinitely variable adjustment
Brake	electric
Vacuum	2 vacuum pumps according to EN 13155

ROBBY 420

Suction disc	4 x 300 mm
Lateral shift	100 mm (every direction)
Rotation range	360 °
Swivel range	180 °
Period of use	up to 16 hours
Telescoping length	600 mm
Load current	230 V (110 V possible)
Charger	Cetek XT 14000
Charging time	approx. 8 hours
Battery	2 x 12 Volt
Wheel drive	1,000 Watt AC
Speed	infinitely variable adjustment
Brake	electric
Vacuum	2 vacuum pumps according to EN 13155



Dead weight	700 kg
Length	2139 mm
Width	800 mm
Height	1421 mm
Load capacity	420 kg
Working height	2.60 m

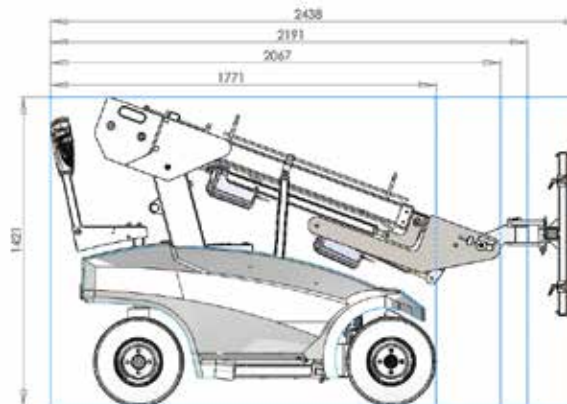
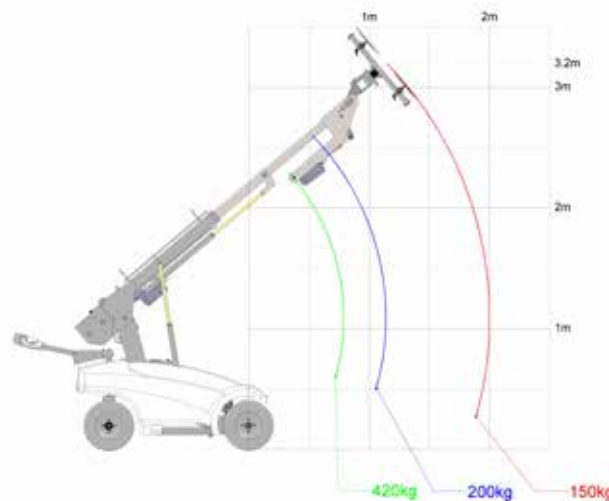


ROBBY 420 XL

Dead weight	740 kg
Length	2191 mm
Width	800 mm
Height	1421 mm
Load capacity	420 kg
Working height	3.40 m



Suction disc	4 x 300 mm
Lateral shift	100 mm (every direction)
Rotation range	360 °
Swivel range	180 °
Period of use	up to 16 hours
Telescoping length	2 x 600 mm (second manually)
Load current	230 V (110 V possible)
Charger	Cetek XT 14000
Charging time	approx. 8 hours
Battery	2 x 12 Volt
Wheel drive	1,000 Watt AC
Speed	infinitely variable adjustment
Brake	electric
Vacuum	2 vacuum pumps according to EN 13155

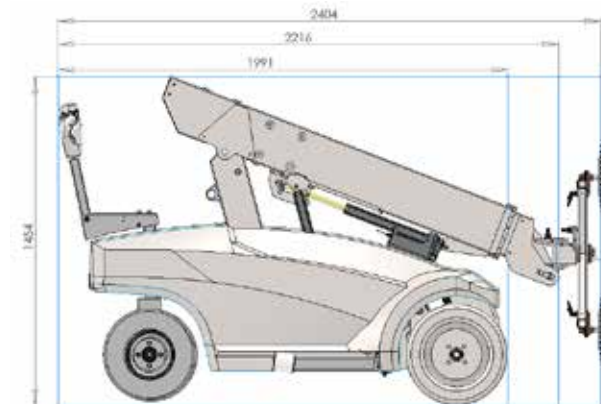
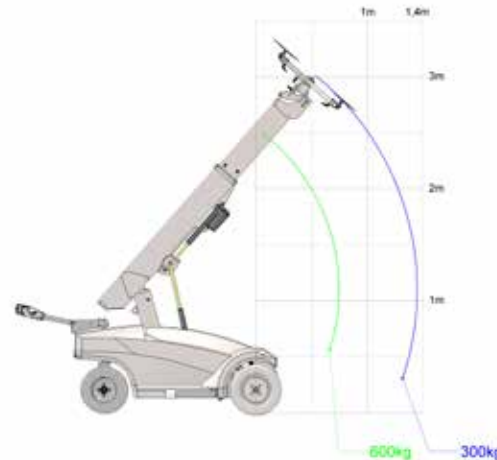


ROBBY 600

Suction disc	4 x 400 mm
Lateral shift	100 mm (every direction)
Rotation range	360 °
Swivel range	180 °
Period of use	up to 16 hours
Telescoping length	600 mm
Load current	230 V (110 V possible)
Charger	Cetek XT 14000
Charging time	approx. 8 hours
Battery	2 x 12 Volt
Wheel drive	2,000 Watt AC
Speed	infinitely variable adjustment
Brake	electric
Vacuum	2 vacuum pumps according to EN 13155



Dead weight	860 kg
Length	2216 mm
Width	800 mm
Height	1454 mm
Load capacity	600 kg
Working height	2.80 m



ROBBY 600 XL

Dead weight	924 kg
Length	2424 mm
Width	800 mm
Height	1454 mm
Load capacity	600 kg
Working height	3.50 m



Suction disc	4 x 400 mm
Lateral shift	100 mm (every direction)
Rotation range	360 °
Swivel range	180 °
Period of use	up to 16 hours
Telescoping length	2 x 600 mm (electric)
Load current	230 V (110 V possible)
Charger	Cetek XT 14000
Charging time	approx. 8 hours
Battery	2 x 12 Volt
Wheel drive	2,000 Watt AC
Speed	infinitely variable adjustment
Brake	electric
Vacuum	2 vacuum pumps according to EN 13155

