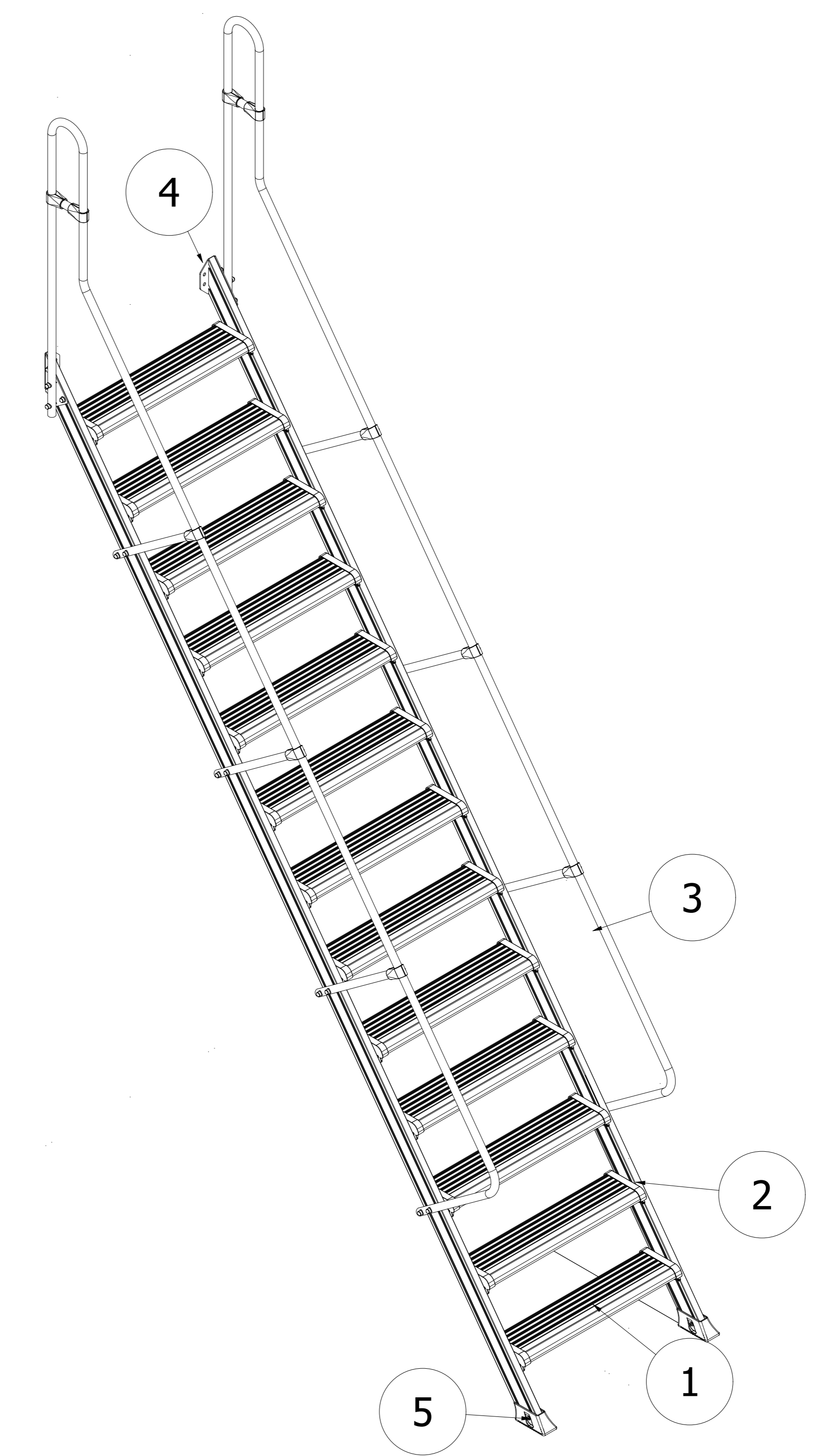
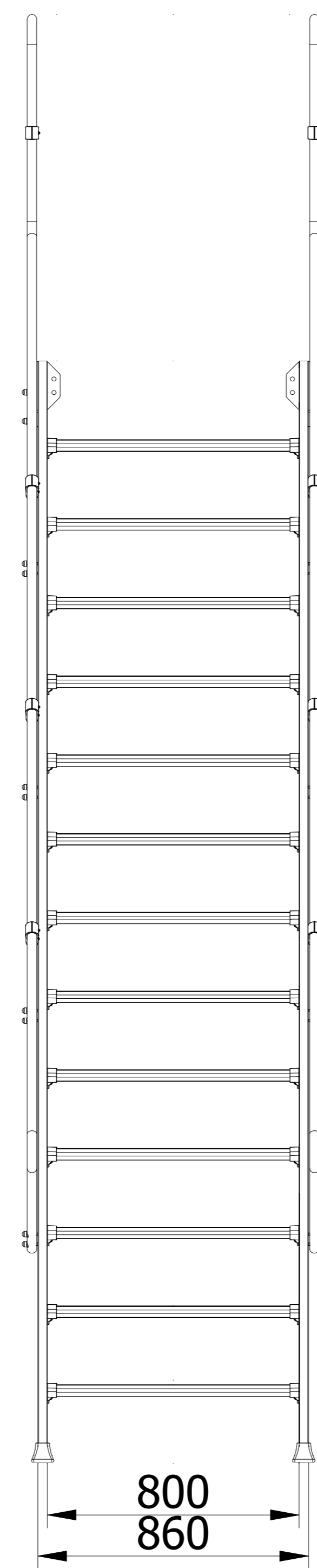
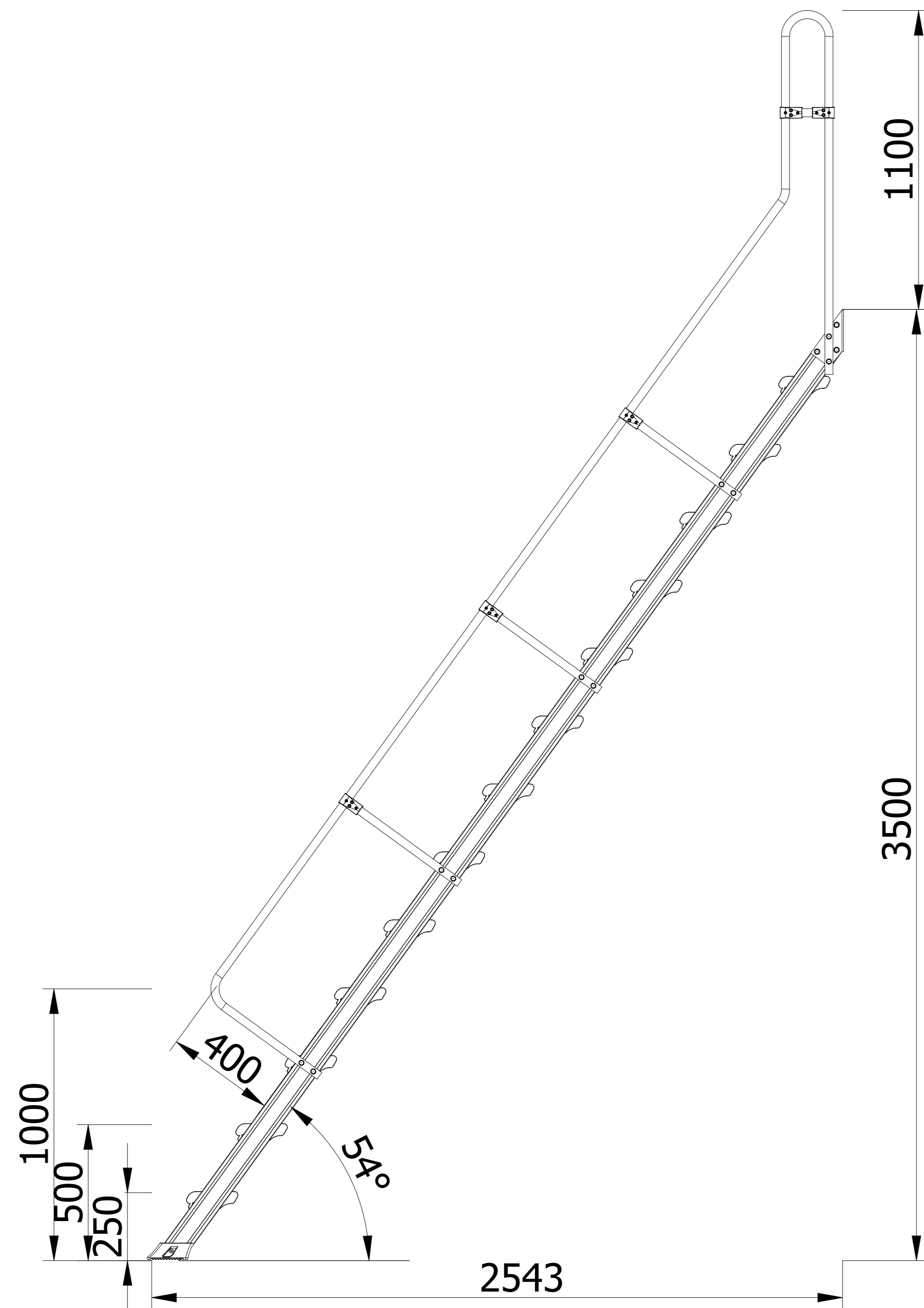


16 15 14 13 12 11 10 9 8 7 6 5 4 3 2 1



Part List	
No.	Part Name
1	180mm Aluminium step
2	90x30 Aluminium Main carrier profile
3	Ø30 Aluminium Handrail
4	Wall fixed bracket
5	Floor fixed bracket

Load Capacity; 150kg



En: All dimensions in mm.

		Date 9.12.2024		Tol. Class	
Project		Finish		Page Num. 1-1	
Title For Quotation		Weight 47,0 kg		1/1 A3	
Drawing No 24_107514_11_000		Rev No 0		Product No 24_107514_11	

16 15 14 13 12 11 10 9 8 7 6 5 4 3 2 1